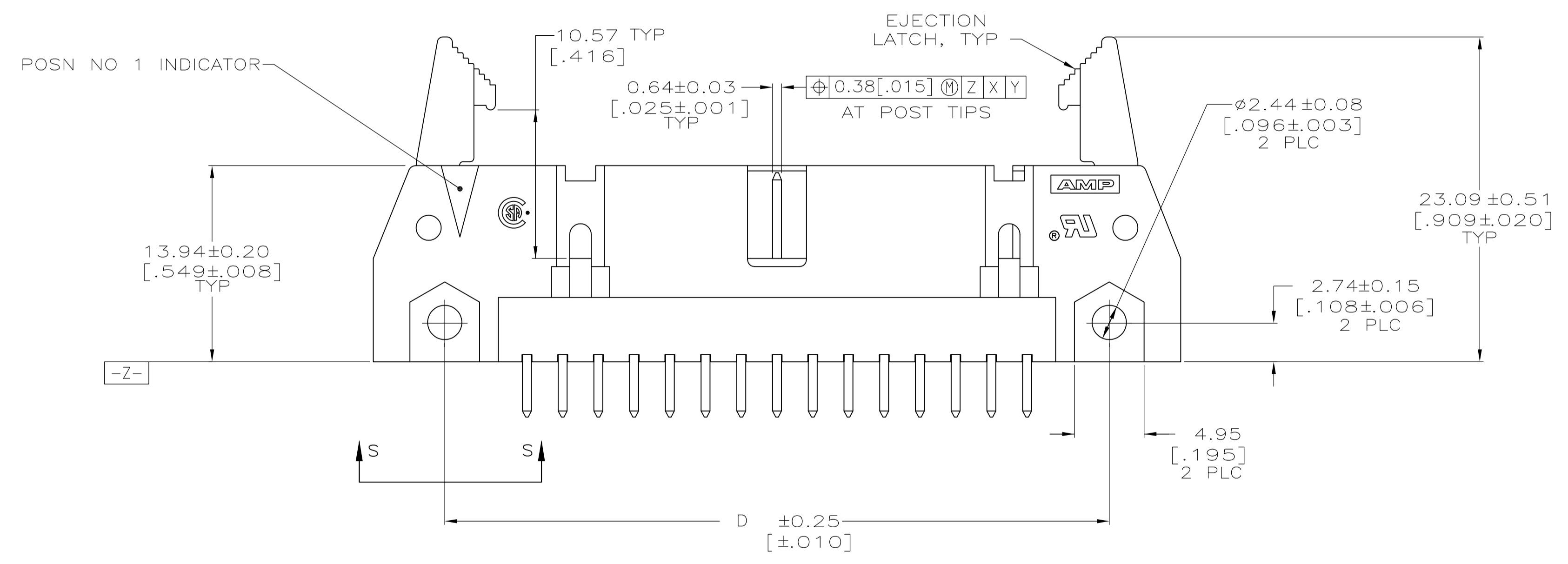
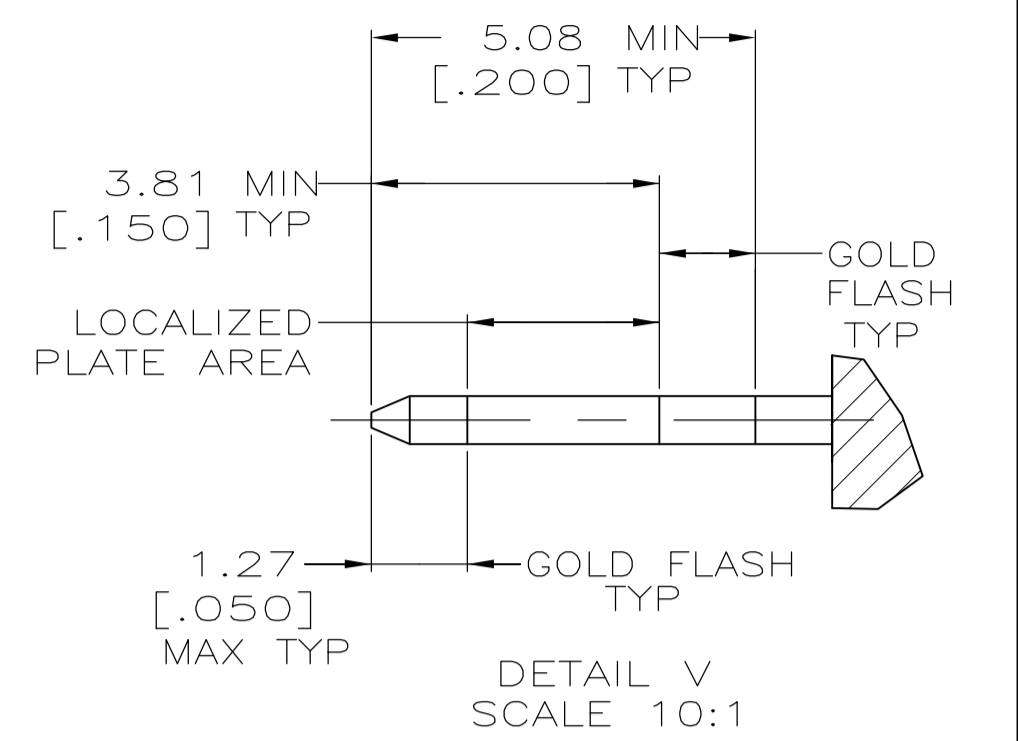
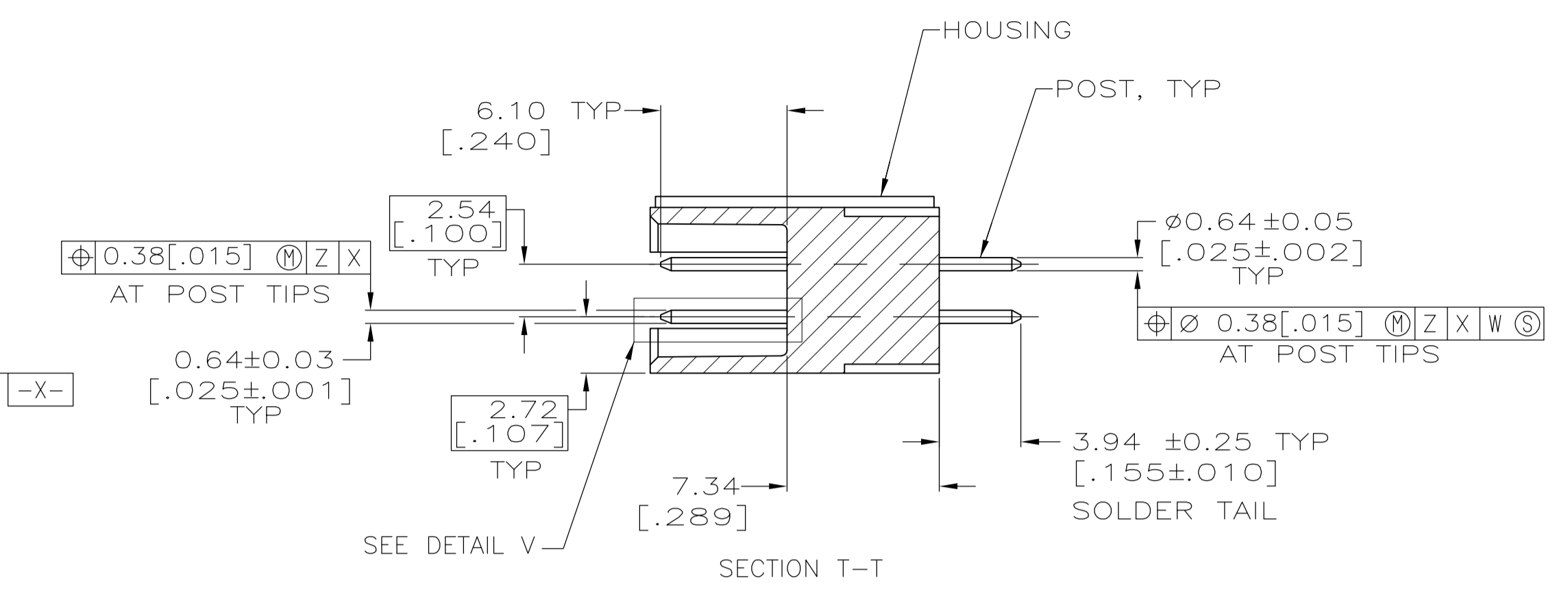
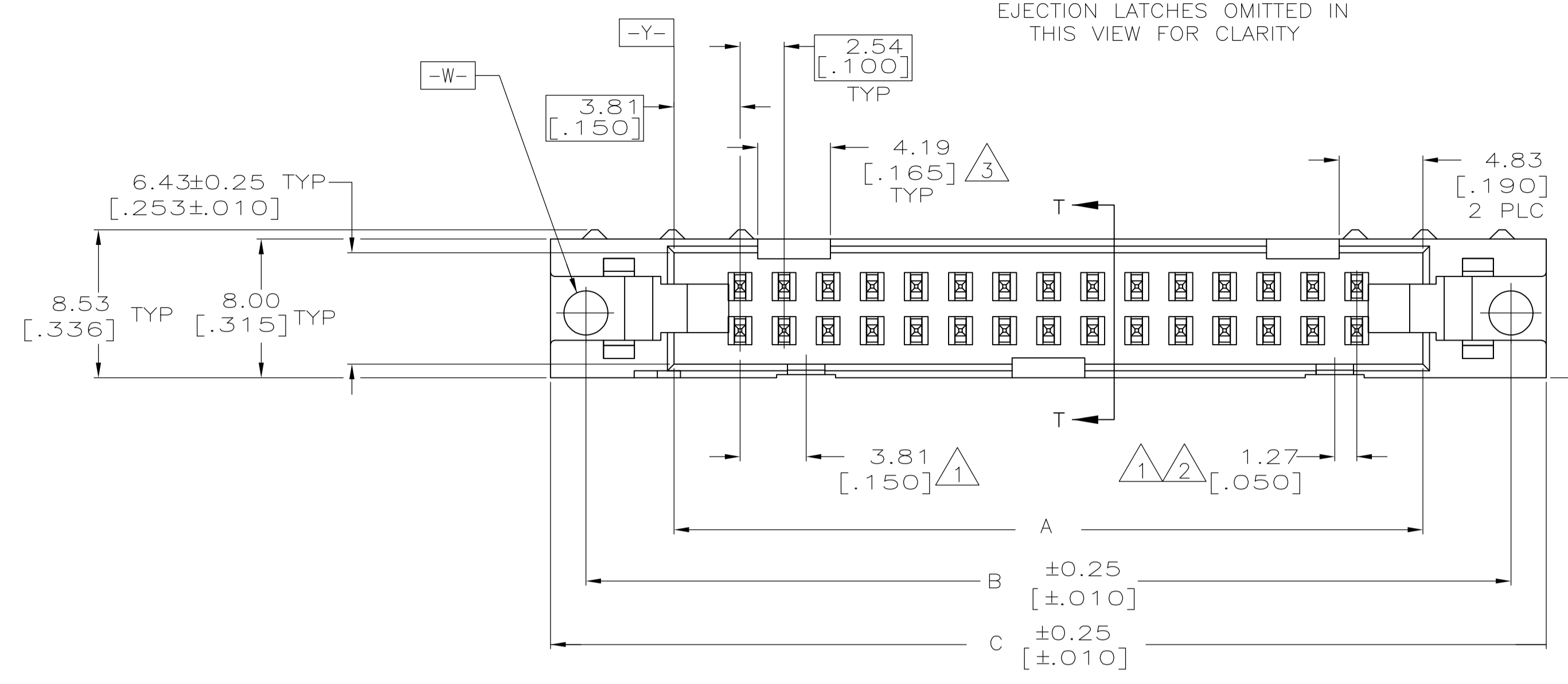
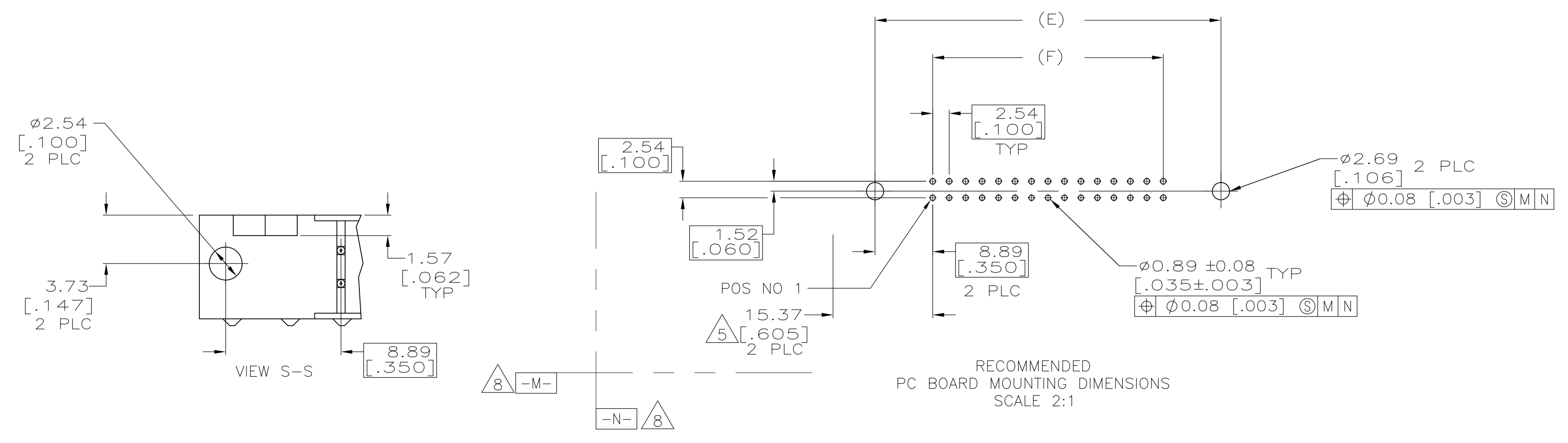


EJECTION LATCHES OMITTED IN THIS VIEW FOR CLARITY



- 1 COORDINATE DIMENSION APPLIES FROM BASIC LOCATION.
- 2 10 POSITION SIZE CONTAINS ONLY ONE SLOT FOR SNAP-IN POLARIZER (MILITARY POLARIZATION) LOCATED AS SHOWN.
- 3 10 POSITION SIZES CONTAIN ONLY ONE SLOT FOR DUAL POLARIZATION, LOCATED AS SHOWN.
- 4. RECOMMENDED PRINTED CIRCUIT BOARD THICKNESS IIS 3.18 [.125].
- 5 DISTANCE REQUIRED BY EJECTION LATCHES IN THE OPEN POSITION.
- 6 HOUSING & LATCHES: GLASS FILLED NYLON OR POLYESTER, UL94V-0 RATED, COLOR BLACK. POSTS: PHOS BRONZE OR BRASS.
- 7 POSTS:  
 GOLD FLASH OVER PALLADIUM-NICKEL PLATE, 0.38µm [.000015] MIN TOTAL ON THE LOCALIZED PLATE AREA,  
 2.54µm [.000100] MIN TIN PLATE ON THE SOLDER-TAILS,  
 1.27µm [.000050] MIN NICKEL UNDERPLATE ON THE ENTIRE POST.  
 OR  
 0.38µm [.000015] MIN GOLD PLATE ON THE LOCALIZED PLATE AREA,  
 2.54µm [.000100] MIN TIN PLATE ON THE SOLDER-TAIL,  
 1.27µm [.000050] MIN NICKEL UNDERPLATE ON THE ENTIRE POST.
- 8 DATUMS -M- & -N- TO BE ESTABLISHED BY CUSTOMER.



OBsolete	60.96 [2.400]	78.74 [3.100]	72.64 [2.860]	82.80 [3.260]	78.74 [3.100]	68.58 [2.700]	50	1-5499911-0
	48.26 [1.900]	66.04 [2.600]	59.94 [2.360]	70.10 [2.760]	66.04 [2.600]	55.88 [2.200]	40	5499911-9
	40.64 [1.600]	58.42 [2.300]	52.32 [2.060]	62.48 [2.460]	58.42 [2.300]	48.26 [1.900]	34	5499911-8
OBsolete	35.56 [1.400]	53.34 [2.100]	47.24 [1.860]	57.40 [2.260]	53.34 [2.100]	43.18 [1.700]	30	5499911-7
OBsolete	22.86 [.900]	40.64 [1.600]	34.54 [1.360]	44.70 [1.760]	40.64 [1.600]	30.48 [1.200]	20	5499911-4
OBsolete	17.78 [.700]	35.56 [1.400]	29.46 [1.160]	39.62 [1.560]	35.56 [1.400]	25.40 [1.000]	16	5499911-3
OBsolete	10.16 [.400]	27.94 [1.100]	21.84 [.860]	32.00 [1.260]	27.94 [1.100]	17.78 [.700]	10	5499911-1
	F	E	D	C	B	A	NO OF POSN	PART NUMBER

THIS DRAWING IS A CONTROLLED DOCUMENT.

DIMENSIONS: mm (INCHES)	TOLERANCES UNLESS OTHERWISE SPECIFIED:	APVD: M. WALSLEY	NAME: M. WALSLEY
0 PLC ± -	1 PLC ± -	2 PLC ± 0.13[.005]	3 PLC ± -
4 PLC ± -	ANGLES ± -	PRODUCT SPEC: 108-40018	APPLICATION SPEC: -
MATERIAL: 6	FINISH: 7	SIZE: A1	CAGE CODE: 00779
CUSTOMER DRAWING		SCALE: 4:1	SHEET: 1 of 1

Tyco Electronics Corporation  
 Harrisburg, PA 17105-3608

HEADER ASSY, UNIVERSAL, AMP-LATCH

108-40018

00779-5499911